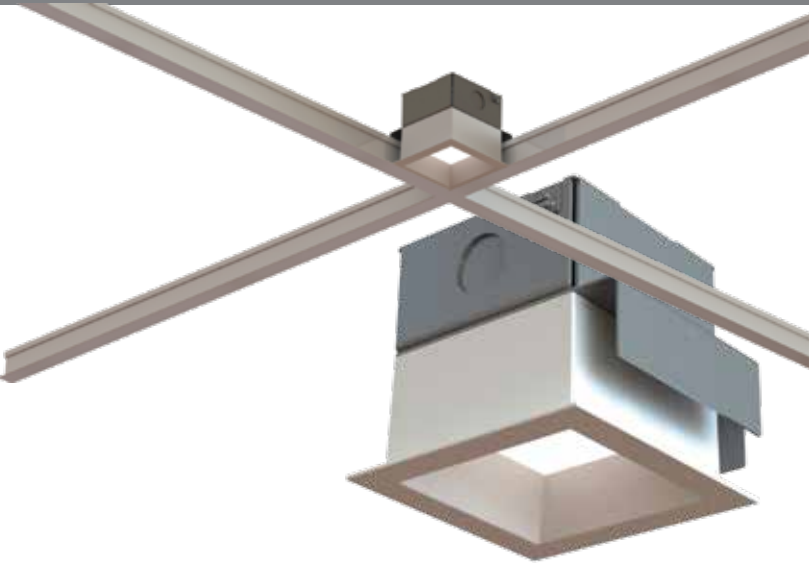


QUAD SOLO



Shown: QuadT1-FSQ-R-...

Project: _____

Type: _____

Notes: _____

The **QUAD** SOLO Luminaire features a Patent-Pending mounting system over the intersection of the ceiling grid. The Quad Solo also mounts easily in drywall with a simple spring clip design.



Ordering Guide



QuadT1		GRID TYPE/SHAPE		QUAD TYPE		LUMENS	
ARON ID							
QuadT1	QUAD SOLO	FSQ	Flat Grid Square Quadrant	R	Regressed Lens	125	125 Lumens
		SSSQ	Screw Slot Grid Square Quadrant	DL	Drop Lens <small>*Specify Length .25"-.5" .75"1"</small>	250	250 Lumens
		GYP	Hard Lid, Gypsum Ceiling	SL	Spotlight	400	400 Lumens
		P	Center of Ceiling Panel	SPK	Speaker	500	500 Lumens
				SNR	Sensor	750	750 Lumens

Important Ordering Notes:
For Armstrong Custom Tile Program - please see page 5 and coordinate with EC/GC



**For Spotlight Ordering Guide, please see page 7-8

**For Speaker Ordering Guide, please see page 9-10

BEAM		COLOR / CRI		UNV		DM		FINISH		SENSORS/OPTIONS	
B1	Narrow	30K8	3000K - 80CRI	UNV	120 - 277V	DM	Factory 0-10V Dim 1%	W	White	E5W	5W EM Battery
B2	Medium	35K8	3500K - 80CRI	347	347V	BT	Bluetooth Control	C	Custom Color	E10W	10W EM Battery
B3	Wide	40K8	4000K - 80CRI	POE	Power over Ethernet					CP	Chicago Plenum
		30K9	3000K - 90CRI								
		35K9	3500K - 90CRI								
		40K9	4000K - 90CRI								
		RGBW	RGBW <small>**Specify Static White CCT</small>								

**EM Batteries are Removed

Housing Types | For In Grid Applications

Flat Housing



- Notate "FSQ" in Ordering Guide
- Designed for Flat 9/16" & 15/16" Grids

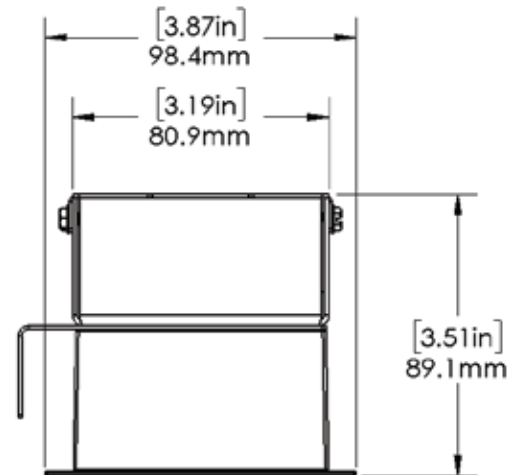
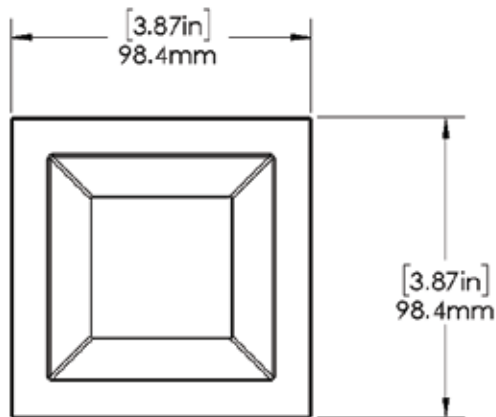
Screw Slot Housing



- Notate "SSSQ" in Ordering Guide
- Designed for Dimensional 9/16" Grids

Dimensions

ADD SS DIMENSIONS



Weight 1Q = 4.7 lbs

Construction

- Cast Aluminum housing
- Powder coated paint
- Galvanized sheet metal components
- Mate with Flat 15/16", 9/16" and Dimensional 9/16" TBars

Optical

- Various Beam distributions
- Coated Acrylic light guide
- Coated Acrylic diffuser
- Minimum 80 or 90 CRI
- 3000K, 3500K, 4000K
- ≤ 3 SDCM

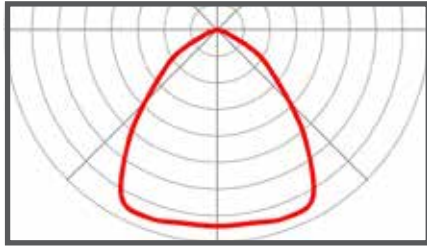
Electrical

- Integral high efficiency driver
- 0-10V dimming (1%) standard
- Class 2
- Optional remote battery pack

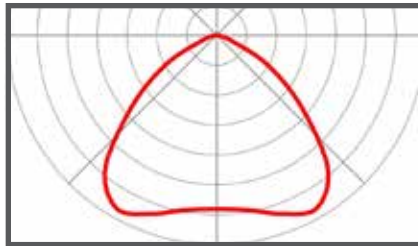
Beam Options

With an Edge Lit optical system, ARON Lighting's diffusion technology enables different beam options to fit various downlight applications.

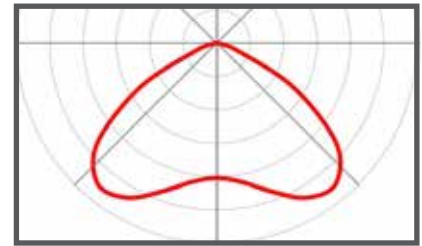
3 Different Beam Distributions



B1 - Narrow



B2 - Medium



B3 - Wide

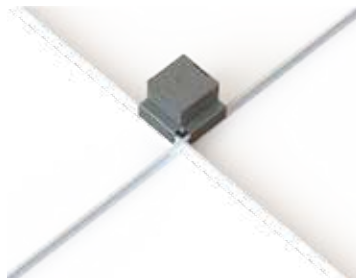
Fixture Wattages

Lumens/Quadrant	Watts/Quadrant
125	1.53
250	3.0
500	6.0
750	9.0

Installation

In-Grid

Easy Installation with TBar Hooks



GYP / Hard Ceiling

Quick Spring Clip Install



Bluetooth Technology



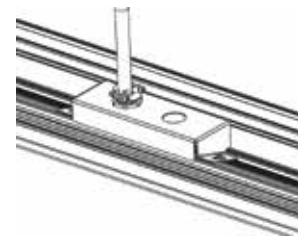
With our BubblyNet OEM partnership, realize the power of bluetooth lighting control! Offering wall controllers, integrated fixture sensors, tunable white/ rgbw control. Contact Factory for More Information



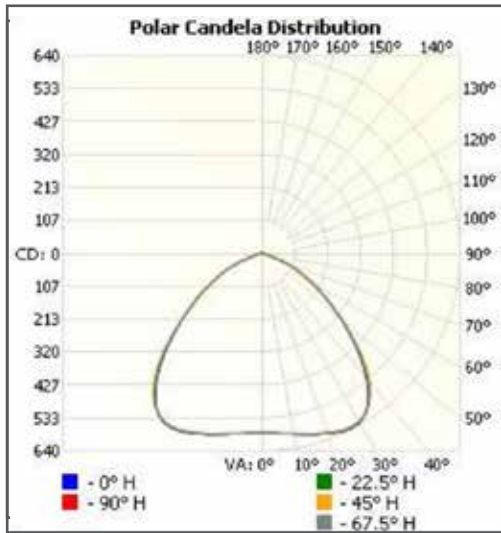
PoE Technology



Our Partnerships with Igor and NuLEDs offer PoE Integration using low voltage cat 5, cat 6 cabling. Contact Factory For more Information.



Model Tested: QuadT1-FSQ-AR-BR-CR-DR-400-B2-35K8-UNV-DM-W

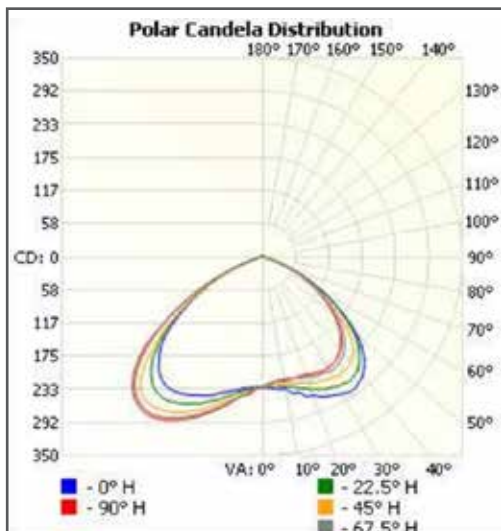


Configuration: 4 Quadrant
Lumens/Quadrant: 403
Total Lumens: 1613
Input Watts: 19.77 W
Efficacy: 81.6 lm/W

Vertical Angle	Horizontal Angles				
	0	22.5	45	67.5	90
0	582	582	582	582	582
5	585	585	585	584	585
10	594	593	593	592	593
15	606	606	604	604	606
20	620	620	618	619	621
25	633	632	629	631	633
30	631	629	628	629	632
35	598	598	602	600	599
40	526	530	543	532	528
45	433	437	451	441	437
50	337	340	340	344	340
55	250	256	249	259	253
60	180	189	177	187	182
65	122	124	121	127	122
70	59	67	70	69	60
75	21	22	27	22	21
80	11	11	11	11	11
85	3	3	3	3	3
90	0	0	0	0	0

Zonal Lumens		
Zone	Lumens	% Luminaire
0-10	56.1	3.5
10-20	172.0	10.7
20-30	291.1	18.0
30-40	370.9	23.0
40-50	338.0	20.9
50-60	229.2	14.2
60-70	122.3	7.6
70-80	29.9	1.9
80-90	4.4	0.3

Model Tested: QuadT1-FSQ-AR-BX-CX-DR-400-B4-35K8-UNV-DM-W



Configuration: 2 Quadrant Parallel
Lumens/Quadrant: 422
Total Lumens: 845
Input Watts: 9.76 W
Efficacy: 86.6 lm/W

Vertical Angle	Horizontal Angles				
	0	22.5	45	67.5	90
0	229	229	229	229	229
5	232	225	227	223	221
10	236	233	226	223	219
15	247	239	229	221	220
20	260	248	237	225	221
25	271	257	241	230	226
30	279	264	244	234	227
35	283	267	244	231	223
40	273	260	241	221	212
45	253	240	225	202	194
50	218	210	190	174	168
55	170	166	146	140	134
60	122	120	105	104	100
65	76	76	68	68	67
70	33	38	38	37	34
75	13	13	16	14	14
80	7	7	7	8	8
85	2	2	2	3	3
90	0	0	0	0	0

Zonal Lumens		
Zone	Lumens	% Luminaire
0-10	22.3	2.6
10-20	70.5	8.3
20-30	125.3	14.8
30-40	177.5	21
40-50	197.1	23.3
50-60	155.2	18.4
60-70	77.3	9.1
70-80	17.2	2
80-90	2.9	0.3

Made-To-Order Tile Guide

Pre-cut tiles made-to-order through your Armstrong rep

Coordinate with EC and GC for ordering tiles



The sizes you need...factory finished...one carton minimums... shipped fast!

SIZE FLEXIBILITY

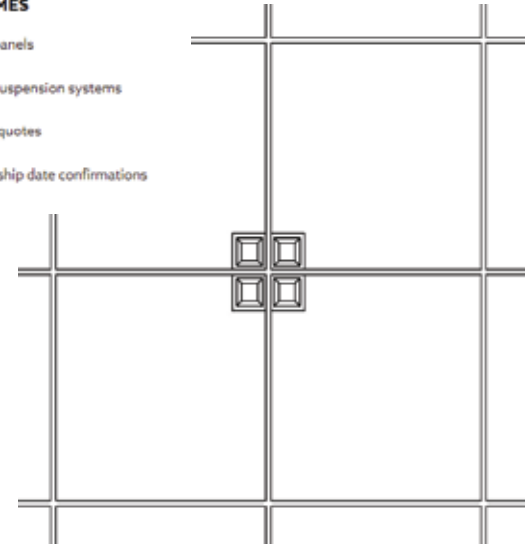
- ✓ 4"-48" long and 4"-120" wide for panels
- ✓ 36"-144" for main beams
- ✓ 6"-144" for cross tees

FAST LEAD TIMES

- ✓ 3 weeks for panels
- ✓ 2 weeks for suspension systems
- ✓ 24 hours for quotes
- ✓ 24 hours for ship date confirmations

24"x24" Quad Notched Tiles

Armstrong Tile Style	Tile Lay	Armstrong Tile Number	ARON Fixture	ARON Precut Tile Number
Ultima/ Ultima High NRC	Square	1940	QUAD Square	1940-QSQ
Ultima/ Ultima High NRC	Tegular	1941	QUAD Square	1941-QSQ
Lyra PB	Square	8372PB	QUAD Square	8372PB-QSQ
Optima PB	Tegular	3354	QUAD Square	3354-QSQ
Optima PB	Square	3352	QUAD Square	3352-QSQ
Cala	Tegular	2824	QUAD Square	2824-QSQ

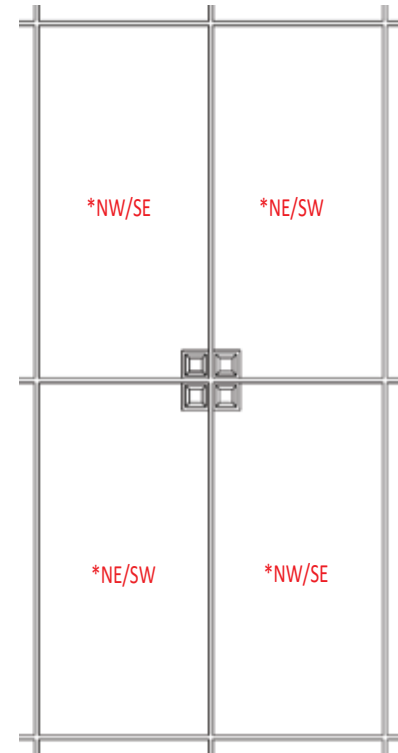


*Below ceiling view

GC to Coordinate with EC and Armstrong Rep for ordering with ARON tile codes
Save on Install Time and Hastle - for any questions please contact rob.aronchick@aronlighting.com

24"x48" Quad Notched Tiles

Armstrong Tile Style	Tile Lay	Armstrong Tile Number	ARON Fixture	Con figuration	ARON Precut Tile Number
Ultima/ Ultima High NRC	Square	1943	QUAD Square	NE/SW	1943-QSQ-NESW
Ultima/ Ultima High NRC	Tegular	1944	QUAD Square	NE/SW	1944-QSQ-NESW
Ultima/ Ultima High NRC	Square	1943	QUAD Square	NW/SE	1943-QSQ-NWSE
Ultima/ Ultima High NRC	Tegular	1944	QUAD Square	NW/SE	1944-QSQ-NWSE
Lyra PB	Square	8373PB	QUAD Square	NE/SW	8373PB-QSQ-NESW
Lyra PB	Tegular	8373PB	QUAD Square	NW/SE	8363PB-QSQ-NWSE
Optima PB	Square	3353	QUAD Square	NE/SW	3353-QSQ-NESW
Optima PB	Tegular	3252	QUAD Square	NE/SW	3252-QSQ-NESW
Optima PB	Square	3353	QUAD Square	NW/SE	3353-QSQ-NWSE
Calla	Tegular	3252	QUAD Square	NW/SE	3252-QSQ-NWSE
Calla	Tegular	2825	QUAD Square	NE/SW	2825-QSQ-NESW
	Tegular	2825	QUAD Square	NW/SE	2825-QSQ-NWSE



*Below ceiling view

GC to Coordinate with EC and Armstrong Rep for ordering with ARON tile codes
Save on Install Time and Hastle - for any questions please contact rob.aronchick@aronlighting.com