

# DUO T-BAR - Slim



Project: \_\_\_\_\_

\_\_\_\_\_

Type: \_\_\_\_\_

\_\_\_\_\_

Notes: \_\_\_\_\_

\_\_\_\_\_



**Important Ordering Notes:**  
 For Armstrong Custom Tile Program - please see page 6&7 and coordinate with EC/GC

**DUO T-Bar Slim**, recessed fixture. Designed with an edge-lit optical system for low glare, high efficacy levels, and perfected beam performance.

The DUO T-Bar Slim simplifies installation by sitting directly on any existing or new grid system. With a depth of just 2.5" and a 4" emitting area, the DUO Slim creates comfort-able illumination with architectural appeal.

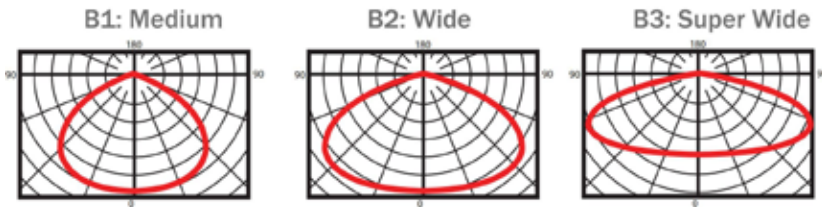
5 Year Warranty  
 Patent - U.S. Patent No. 10,808,896 & 11,085,600

## Ordering Guide

DUOT2				
ARON ID	CEILING TYPE	LENGTH	LUMENS/FT	BEAM
<b>DUOT2</b> DUO TBar - Slim	<b>F</b> TGrid 9/16" & 15/16"	<b>2FA</b> 23.75" <b>3FA</b> 35.75" <b>4FA</b> 47.75" <b>5FA</b> 59.75" <b>6FA</b> 71.75" <b>7FA</b> 83.75" <b>8FA</b> 95.75" <b>C</b> Continuous Run: Up to 32' *1ft Increments	<b>250</b> 250 lm/ft <b>500</b> 500 lm/ft <b>750</b> 750 lm/ft <b>1000</b> 1000 lm/ft <b>1250</b> 1250 lm/ft <b>1500</b> 1250 lm/ft	<b>B1</b> Medium <b>B2</b> Wide <b>B3</b> Super Wide
		*Continuous Run - Not available for Drywall	**Consult factory for custom lumen packages	

COLOR / CRI	UNV VOLTAGE	DRIVER	ACCESSORIES	FINISH	RATINGS
<b>30K8</b> 3000K - 80CRI <b>30K9</b> 3000K - 90CRI <b>35K8</b> 3500K - 80CRI <b>35K9</b> 3500K - 90CRI <b>40K8</b> 4000K - 80CRI <b>40K9</b> 4000K - 90CRI <b>TW</b> Tunable White	<b>UNV</b> 120-277V <b>347</b> 347 V <b>POE</b> Low Voltage PoE	<b>DM</b> Factory 0-10V, Dim 1% <b>LT</b> Lutron <b>DALI</b> Dali System <b>DMX</b> DMX System <b>SD</b> Step Dimming <b>BT</b> Bluetooth Control	<b>E5W</b> 5W EM Battery <b>E10W</b> 10W EM Battery	<b>W</b> White <b>BLK</b> Black <b>C</b> Custom	<b>CCEA</b> Chicago Plenum Rated
**TW requires compatible driver systems: DALI,DMX,LT		**See Page 3 for Bluetooth Information. Consult Factory	**Integral battery with remote test button	**Contact factory for custom color	

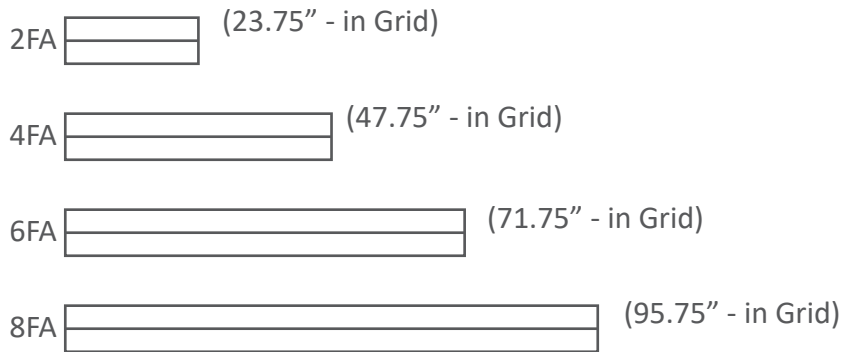
## Optical Performance



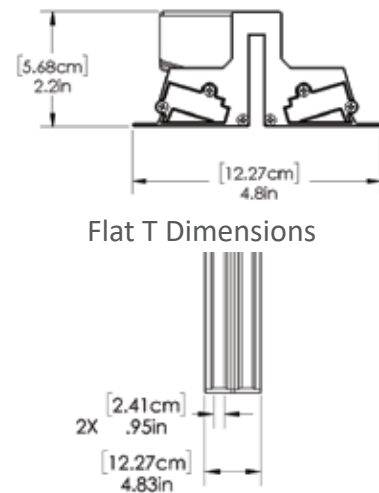
Lumens	Watts	Efficacy (lm/W)
2000	17.3	115.6
2500	22.0	113.3
3000	26.8	111.8
4000	32.4	123.4
5000	40.8	122.6
6000	49.1	122.1
8000	68.0	117.5
10000	84.3	118.6
12000	103.8	115.6

\*All values at 3500K

## Application Sizes



## Dimensions



### Construction

- Extruded aluminum housing
- Injection molded ABS end caps
- Powder coated paint
- Galvanized sheet metal components
- Mate with 15/16, 9/16 Flat TBars

### Optical

- Choice of 3 beam distributions
- Cast acrylic light guide
- Extruded volumetric diffuser
- Minimum 80 or 90 CRI
- 3000K, 3500K, 4000K
- ≤ 3 SDCM

### Electrical

- Integral high efficiency driver
- 0-10V dimming (1%) standard
- Class 2
- Optional battery pack
- Add-on sensor ready (consult factory on sensor technologies)

### Weight

- 2FA = 5.2 lbs
- 4FA = 9.1 lbs
- 6FA = 13 lbs
- 8FA = 16.9 lbs

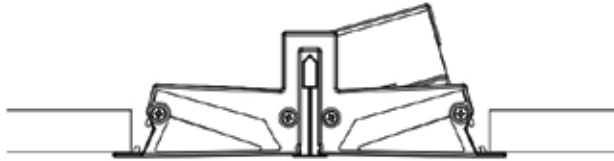
## Standard Mounting

2FA on 2x2 or 2x4 grid  
4FA on 2x4 grid (4' span)

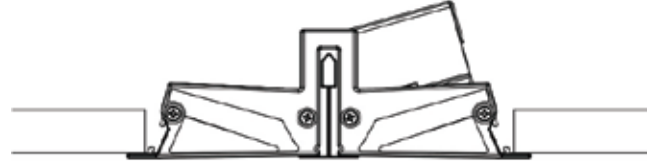
Contact your local Armstrong Representative for Made to Order Tiles

\*Note for 6FA and 8FA Fixtures

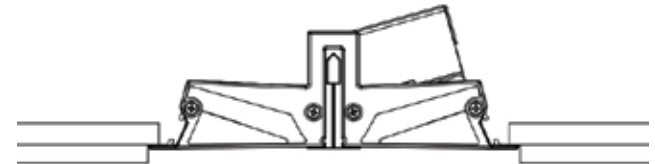
Coordinate lighting fixture installation with ceiling contractor, refer to install instructions for clarification



9/16" Flat T-Bar



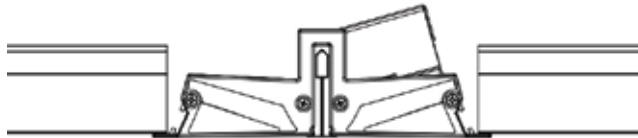
15/16" Flat T-Bar



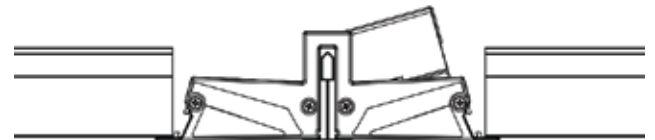
9/16" or 15/16" Flat T-Bar with Tegular Tiles

## Mounting With Intersecting Cross-T

4FA, 6FA, 8FA on 2x2 grid  
4FA on 2x4 grid (2' span)  
6FA, 8FA on 2x4 grid



9/16" Flat Cross T-Bar



15/16" Flat Cross T-Bar

\*Custom Cross-Ts also available through Armstrong for quicker and seamless installation.

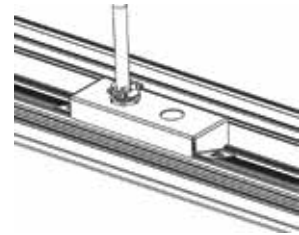
## Bluetooth Technology



With our BubblyNet OEM partnership, realize the power of bluetooth lighting control! Offering wall controllers, integrated fixture sensors, tunable white/ rgbw control. Contact Factory for More Information



## PoE Technology



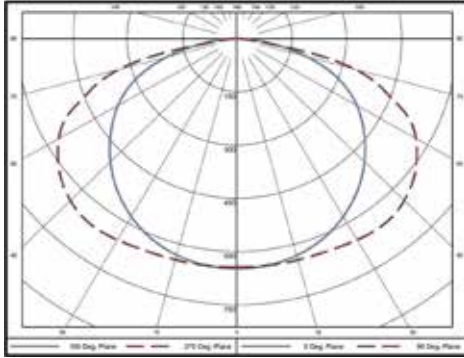
Our Partnerships with Igor and NuLEDs offer PoE Integration using low voltage cat 5, cat 6 cabling. Contact Factory For more Information.

# DUO T-BAR - Slim



Model Tested: DuoT2-2FA-2500-B2-3500K-80-UNV-DM

Photometric Curve



Candela Distribution

Vertical Angle	Horizontal Angles				
	0	22.5	45	67.5	90
0	644.5	644.5	644.5	644.5	644.5
5	646.6	643.9	643	643.9	645
15	632.4	631.6	636	642.2	645.6
25	601.8	605.3	621.6	640.5	649.5
35	554	564.7	602	642.4	658.9
45	491.8	512.6	571.6	624	644.4
55	418.3	445.8	514.3	576.2	597
65	330.6	358.4	432.6	493.7	510.6
75	198.6	222.5	264.1	308.1	333.2
85	48.7	49.5	27.9	26	25.9
90	0	0	0	0	0

Zonal Lumens

Zone	Lumens
0-10	61.60
10-20	180.88
20-30	289.24
30-40	382.14
40-50	447.83
50-60	474.82
60-70	445.03
70-80	280.17
80-90	50.12

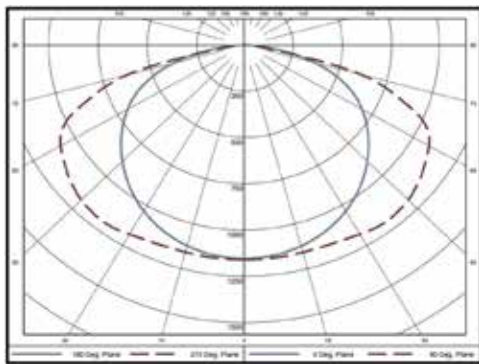
Luminance Data (cd/m<sup>2</sup>)

Vertical Angle	Horizontal Angles		
	0	45	90
45	8476	9852	11110
55	8887	10930	12680
65	9532	12480	14720
75	9350	12440	15690
85	6809	3906	3620

Length: 2ft  
 Lumens/ft: 1307  
 Total Lumens: 2614  
 Input Watts: 23.1 W  
 Efficacy: 113.3 lm/W

Model Tested: DuoT2-4FA-5000-B2-3500K-80-UNV-DM

Photometric Curve



Candela Distribution

Vertical Angle	Horizontal Angles				
	0	22.5	45	67.5	90
0	1157	1157	1157	1157	1157
5	1150	1152	1154	1158	1159
15	1124	1129	1140	1153	1159
25	1073	1083	1114	1150	1167
35	994	1015	1083	1161	1195
45	890	926	1041	1138	1182
55	767	817	955	1073	1124
65	616	668	809	953	1018
75	381	421	480	567	621
85	93	85	57	58	60
90	3	5	6	7	7

Zonal Lumens

Zone	Lumens
0-10	110
10-20	323
20-30	516.5
30-40	682.4
40-50	799.7
50-60	847.9
60-70	794.7
70-80	500.3
80-90	89.5

Luminance Data (cd/m<sup>2</sup>)

Vertical Angle	Horizontal Angles		
	0	45	90
45	8303	9714	11030
55	8815	10990	12920
65	9605	12620	15900
75	9702	12230	15820
85	7054	4306	4506

Length: 4ft  
 Lumens/ft: 1266  
 Total Lumens: 5064  
 Input Watts: 41.3 W  
 Efficacy: 122.6 lm/W



## FASTSIZE Tile Ordering Guide

FASTSIZE tiles made-to-order through your Armstrong rep

Coordinate with EC and GC for ordering tiles

1 Ctn Min  
**FASTSIZE**  
3 Weeks from  
order to ship

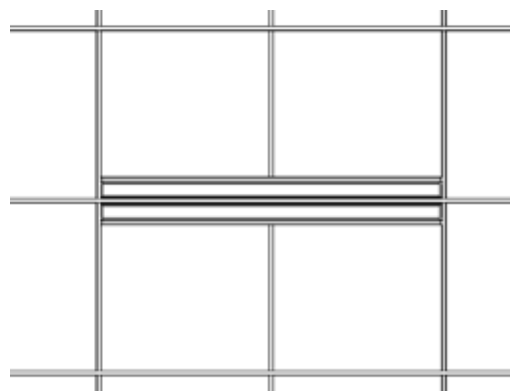
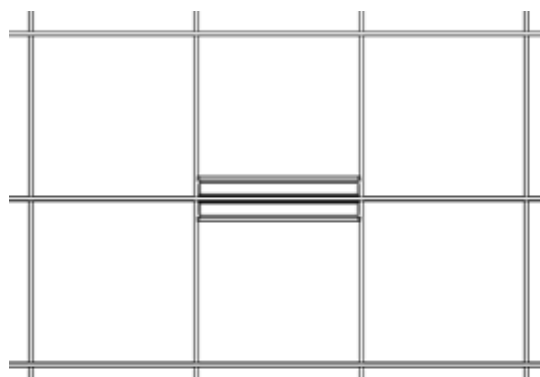
The sizes you need...factory finished...one carton minimums...shipped fast!

### SIZE FLEXIBILITY

- ✓ 4"-48" long and 4"-120" wide for panels
- ✓ 36"-144" for main beams
- ✓ 6"-144" for cross tees

### FAST LEAD TIMES

- ✓ 3 weeks for panels
- ✓ 2 weeks for suspension systems
- ✓ 24 hours for quotes
- ✓ 24 hours for ship date confirmations



24"x24" DUO Slim Tiles

Armstrong Tile Style	Tile Lay	Armstrong Tile Number	ARON Fixture	ARON Precut Tile Number
Ultima/ Ultima High NRC	Square	1940	DUO-Slim	1940-DS
Ultima/ Ultima High NRC	Tegular	1941	DUO-Slim	1941-DS
Lyra PB	Square	8372PB	DUO-Slim	8372PB-DS
Optima PB	Tegular	3354	DUO-Slim	3354-DS
Optima PB	Square	3352	DUO-Slim	3352-DS
Calla	Tegular	2824	DUO-Slim	2824-DS

GC Coordination with EC and Armstrong Rep for ordering custom tiles

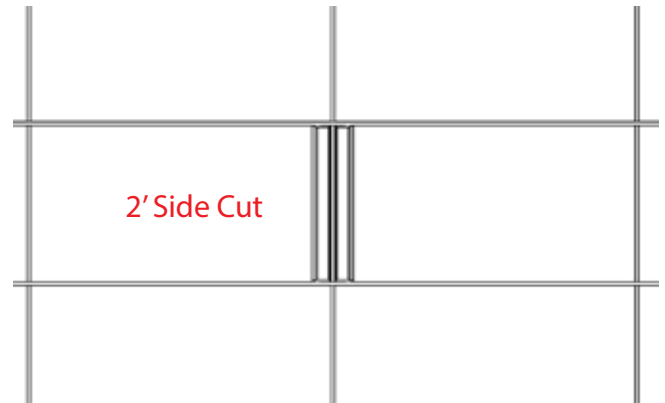
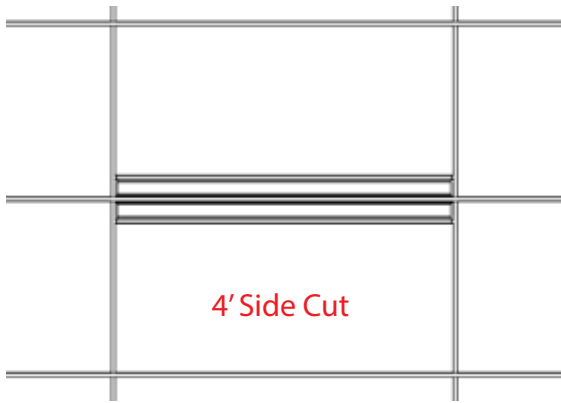
Save on Install Time and Hassle -for any questions please contact [rob.aronchick@aronlighting.com](mailto:rob.aronchick@aronlighting.com)

## FASTSIZE Tile Ordering Guide

FASTSIZE tiles made-to-order through your Armstrong rep

Coordinate with EC and GC for ordering tiles

### 24"x48" DUO Slim Tiles



Armstrong Tile Style	Tile Lay	Armstrong Tile Number	ARON Fixture	Con figuration	ARON Precut Tile Number
Ultima/ Ultima High NRC	Square	1943	DUO-Slim	2' Side	1943-DS-2
Ultima/ Ultima High NRC	Tegular	1944	DUO-Slim	2' Side	1944-DS-2
Ultima/ Ultima High NRC	Square	1943	DUO-Slim	4' Side	1943-DS-4
Ultima/ Ultima High NRC	Tegular	1944	DUO-Slim	4' Side	1944-DS-4
Lyra PB	Square	8373PB	DUO-Slim	2' Side	8373PB-DS-2
Lyra PB	Tegular	8373PB	DUO-Slim	4' Side	8363PB-DS-4
Optima PB	Square	3353	DUO-Slim	2' Side	3353-DS-2
Optima PB	Tegular	3252	DUO-Slim	2' Side	3252-DS-2
Optima PB	Square	3353	DUO-Slim	4' Side	3353-DS-4
Optima PB	Tegular	3252	DUO-Slim	4' Side	3252-DS-4
Calla	Tegular	2825	DUO-Slim	2' Side	2825-DS-2
Calla	Tegular	2825	DUO-Slim	4' Side	2825-DS-4

GC Coordination with EC and Armstrong Rep for ordering custom tiles  
 Save on Install Time and Hassle -for any questions please contact [rob.aronchick@aronlighting.com](mailto:rob.aronchick@aronlighting.com)