

Edge T-Bar 2"



Project: _____

 Type: _____

 Notes: _____

Edge T-Bar, recessed luminaire. With a leading edge optical system and ultra shallow form factor, the Edge luminaire combines both form and function to deliver the perfect beam of light. No longer is plenum space a concern, with a height of 2.1" the Edge can be simply installed into any grid in varying lengths and patterns.



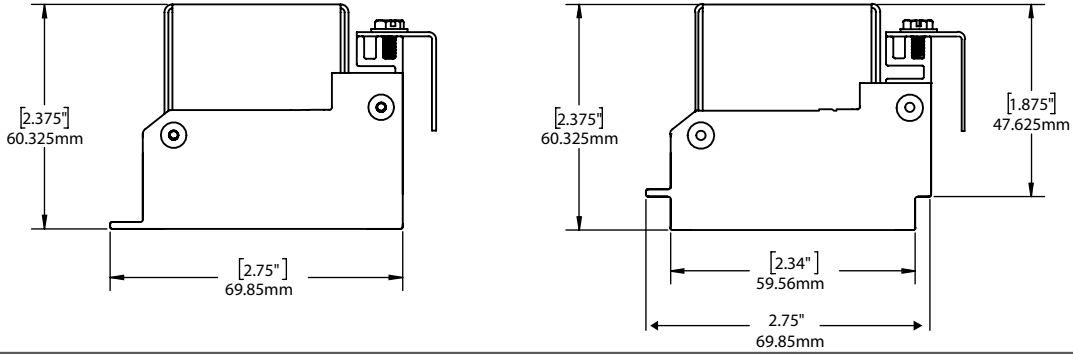
Ordering Guide

EDGET1		CEILING TYPE		MOUNTING OPTIONS		LENGTH		LUMENS/FT		
ARON ID										
EDGET1	EDGE 2.0	F	Flat 9/16" & 15/16" Tbars	RTB	Recessed - TBar	2FA	23.75"	300	300 lm/ft	
		SS	Dimensional 9/16" Tbars	RDWT	Recessed - Drywall - Trim	3FA	35.75"	400	400 lm/ft	
						4FA	47.75"	500	500 lm/ft	
						5FA	59.75"	750	750 lm/ft	
						6FA	71.75"	850	850 lm/ft	
						7FA	83.75"	1000	1000 lm/ft	
						8FA	95.75"			
						X	2'x2', 4'x4', 2'x4'...			
						C	Continuous Run: *1ft Increments			
							*For Corners or U Shapes, Specify L for Corner, U for U shapes		*Consult Factory for Other Lumen Packages	

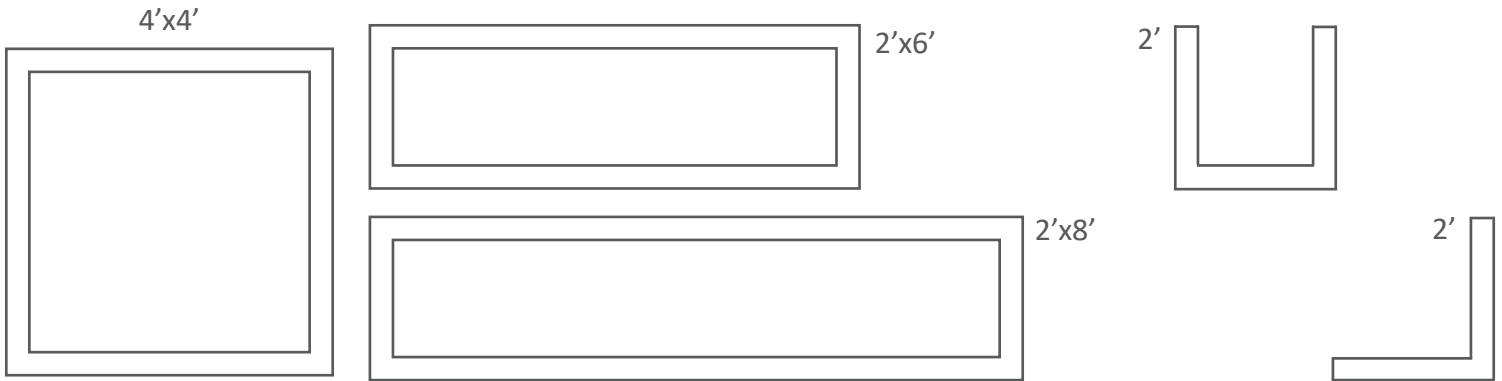
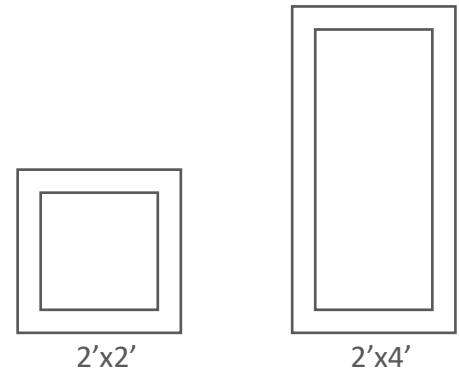
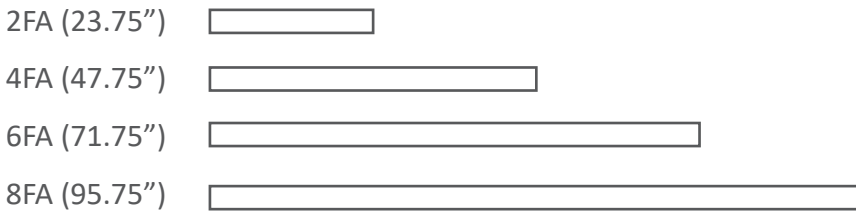
BEAM		COLOR / CRI		UNV		DRIVER		ACCESSORIES/RATINGS		FINISH	
B1	Symmetric	30K8	3000K - 80CRI	UNV	120-277V	DM	Factory 0-10V, Dim 1%	E5W	5W EM Battery	W	White
B2	Asymmetric	30K9	3000K - 90CRI	347	347 V	BT	Bluetooth	E10W	10W EM Battery	BLK	Black
		35K8	3500K - 80CRI	POE	Low Voltage PoE	DALI	Dali System			C	Custom
		35K9	3500K - 90CRI				*contact factory for other driver dimming and control options				
		40K8	4000K - 80CRI								
		40K9	4000K - 90CRI								
		TW	Tunable White								
**TW requires compatible driver systems: DALI, DMX, LT				**See Page 3 for Bluetooth Information. Consult Factory							

Edge T-Bar 2"

Dimensions



Application Sizes

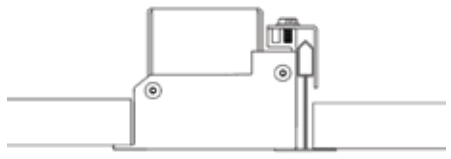


Construction	Optical	Electrical	Weight
<ul style="list-style-type: none"> - Extruded aluminum housing - Injection molded ABS end caps - Powder coated paint - Galvanized sheet metal components - Mate with 15/16, 9/16 Flat and dimensional 9/16 TBars 	<ul style="list-style-type: none"> - Symmetric and asymmetric distributions - Cast acrylic light guide - Extruded volumetric diffuser - Minimum 80 or 90 CRI - 3000K, 3500K, 4000K - ≤ 3 SDCM 	<ul style="list-style-type: none"> - Integral high efficiency driver - 0-10V dimming (1%) standard - Class 2 - Optional battery pack 	<ul style="list-style-type: none"> 2FA = 4 lbs 4FA = 7 lbs 6FA = 11 lbs 8FA = 14 lbs 2x2 = 14 lbs 2x4 = 20 lbs

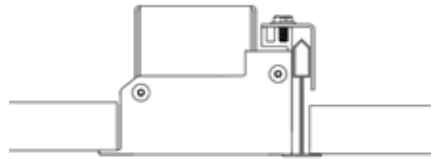
Edge T-Bar 2"



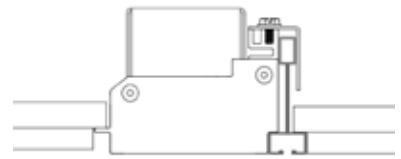
Mounting Options



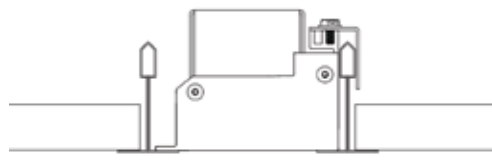
15/16 T-Bar & Flange



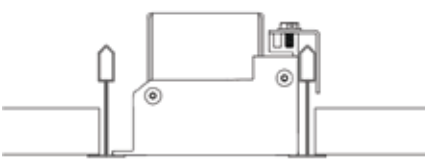
9/16 T-Bar & Flange



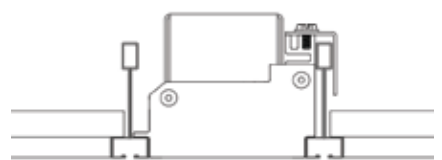
Screw Slot T-Bar & Flange



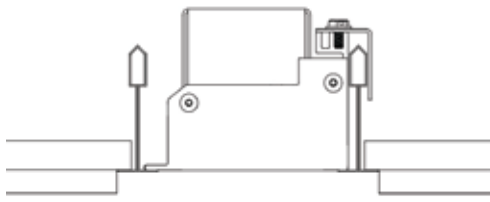
15/16 T-Bar



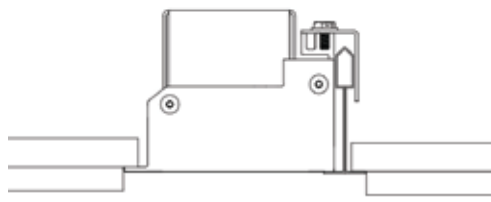
9/16 T-Bar



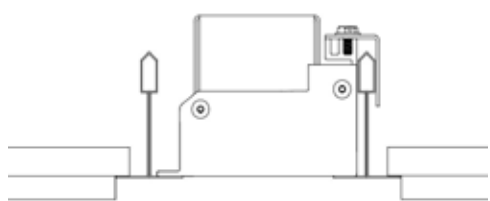
Screw Slot T-Bar



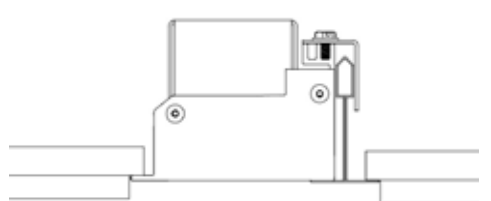
9/16 T-Bar Tegular



9/16 T-Bar Tegular & Flange



15/16 T-Bar Tegular



15/16 T-Bar Tegular & Flange

Fixture Wattage

Lumens/ft	Watts/ft
300	2.9
400	4.3
500	4.8
750	6.2
1000	8.0

Lumen Maintenance

L90: 90,000 Hours

L70: 185,000 Hours

Bluetooth Technology



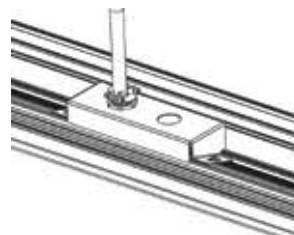
With our BubblyNet OEM partnership, realize the power of bluetooth lighting control! Offering wall controllers, integrated fixture sensors, tunable white/ rgbw control. Contact Factory for More Information



PoE Technology



Our Partnerships with Igor and NuLEDs offer PoE Integration using low voltage cat 5, cat 6 cabling. Contact Factory For more Information.

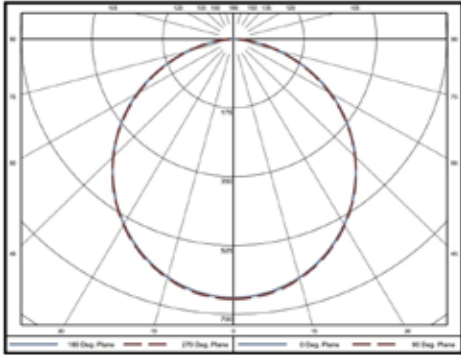


Edge T-Bar 2”



Model Tested: EdgeT1-F-RTB-4FA-450-B1-35K8-UNV-DM-W

Photometric Curve



Candela Distribution

Vertical Angle	Horizontal Angles				
	0	22.5	45	67.5	90
0	659	659	659	659	659
5	654	656	654	654	657
15	627	629	627	627	630
25	577	579	577	577	580
35	508	508	507	506	509
45	424	422	423	421	423
55	329	326	326	324	326
65	223	222	220	218	219
75	115	115	114	113	113
85	26	26	26	26	26
90	5	4	4	4	4

Zonal Lumens

Zone	Lumens
0-10	62
10-20	177
20-30	266
30-40	318
40-50	326
50-60	291
60-70	218
70-80	121
80-90	32

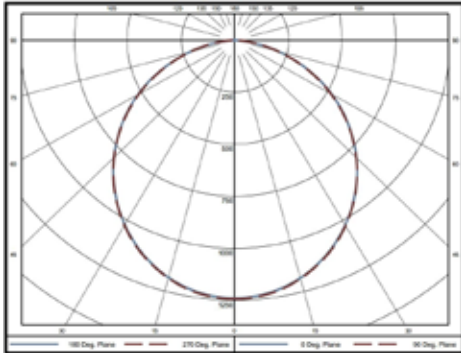
Luminance Data (cd/m²)

Vertical Angle	Horizontal Angles		
	0	45	90
45	9691	9665	9678
55	9261	9177	9183
65	8536	8412	8395
75	7216	7135	7075
85	4868	4947	4819

Length: 4ft
 Lumens/ft: 453
 Total Lumens: 1812
 Input Watts: 17.1 W
 Efficacy: 105.7 lm/W

Model Tested: EdgeT1-F-RTB-4FA-850-B1-35K8-UNV-DM-W

Photometric Curve



Candela Distribution

Vertical Angle	Horizontal Angles				
	0	22.5	45	67.5	90
0	1241	1241	1241	1241	1241
5	1233	1237	1233	1233	1237
15	1183	1186	1181	1182	1186
25	1089	1091	1087	1087	1093
35	959	958	957	955	961
45	801	798	799	795	800
55	622	618	616	613	616
65	423	421	417	415	417
75	217	218	216	215	215
85	47	51	51	51	51
90	2	7	8	8	8

Zonal Lumens

Zone	Lumens
0-10	117
10-20	334
20-30	501
30-40	599
40-50	615
50-60	551
60-70	413
70-80	229
80-90	60

Luminance Data (cd/m²)

Vertical Angle	Horizontal Angles		
	0	45	90
45	18290	18230	18260
55	17500	17330	17350
65	16150	15920	15910
75	13530	13490	13420
85	8639	9515	9396

Length: 4ft
 Lumens/ft: 855
 Total Lumens: 3420
 Input Watts: 32.5 W
 Efficacy: 105.1 lm/W

