

EZT



Project: _____

Type: _____

Notes: _____

The EZT System, with an extruded three sided acrylic diffusion lens, provides an EZ and versatile way to integrate lines or shapes of light into a T-grid ceiling. Create unique layouts by forming shapes like squares, rectangles, L's, or straight lengths with no limitation to main or cross tbars as the fixture simply fastens to the bottom of any grid system.

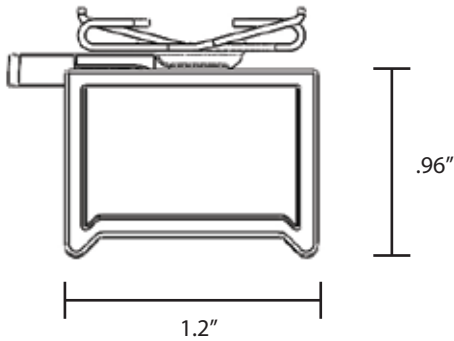


Ordering Guide

EDGETO					
ARON ID		CEILING TYPE	LENGTH		LUMENS/FT
EZT	EZT	F9 Flat 9/16" Tbars w/ Flat Accoustical Panel	2FA	2FT	300 300 lm/ft
			4FA	4FT	400 400 lm/ft
		F15 Flat 15/16" Tbars w/ Flat Accoustical Panel	6FA	6FT	500 500 lm/ft
			750	750 lm/ft	750 750 lm/ft
		FT9 Flat 9/16" Tbars w/ Tegular Accoustical Panel	8FA	8FT	850 850 lm/ft
			1000	1000 lm/ft	1000 1000 lm/ft
		FT15 Flat 15/16" Tbars w/ Tegular Accoustical Panel			
	SS Dimensional 9/16" Bolt Slot Tbars	X	2'x2', 4'x4', 2'x4'..		
	GYP Surface Mount - Hard Lid Ceiling	C	Continuous Run: *2ft Increments		
			*For Corners or U Shapes, Specify L for Corner, U for U shapes (EX...2'x2'L...)		*Consult Factory for Other Lumen Packages *Wattage Calculated w/ CCT of 35K8

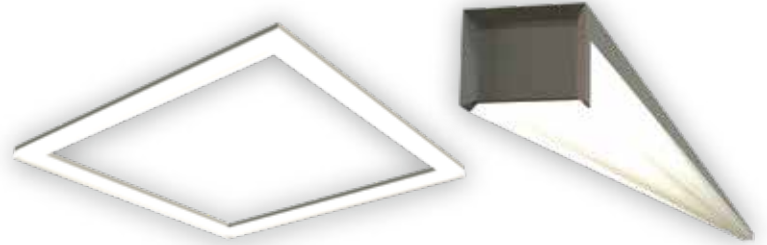
BEAM		COLOR / CRI	UNV		VOLTAGE	DRIVER	ACCESSORIES/RATINGS		FINISH					
B1	Symmetric	30K8	3000K - 80CRI		UNV	Factory 0-10V, Dim 1%	E5W	5W EM Battery	W	White - Matte				
		30K9	3000K - 90CRI								347	347 V	E10W	10W EM Battery
		35K8	3500K - 80CRI		DM	Bluetooth	BLK	Black - Matte						
		35K9	3500K - 90CRI								BT			
		40K8	4000K - 80CRI									ELD	EldoLED .1% Dimming	C
		40K9	4000K - 90CRI								*contact factory for other driver, dimming and control options			
						**See Page 5 for Bluetooth Information. Consult Factory								

Dimensions



Continuous Runs & Shapes:

Available at any length, with diffuse joiner for continuous line of light.



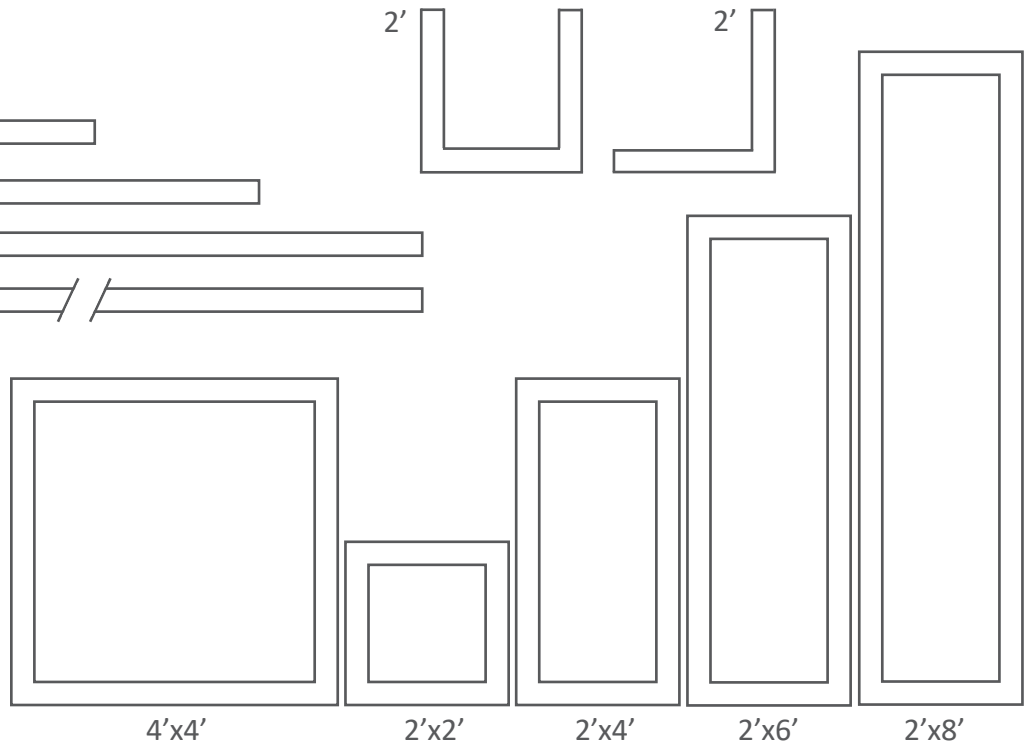
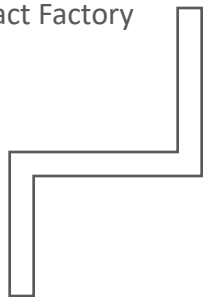
Application Sizes



*Increments to the Inch

MultiDirectional Shapes

*Contact Factory



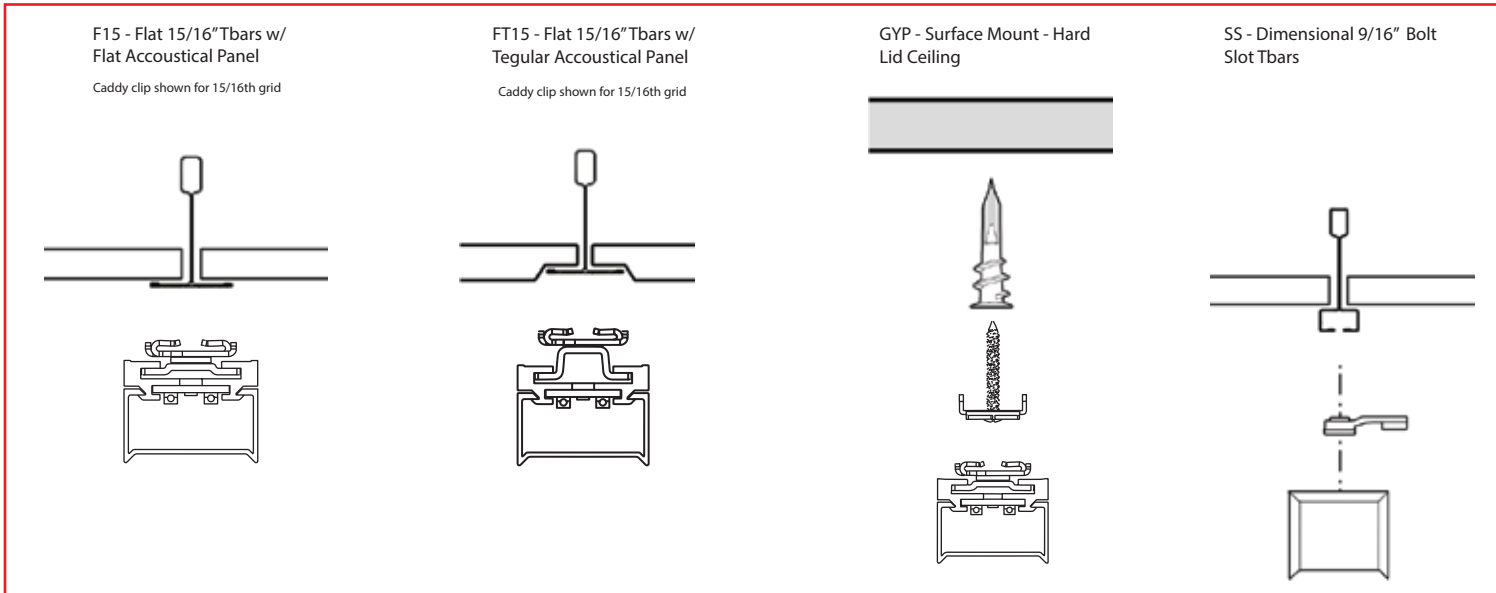
Construction

- Lens: Extruded Volumetric Diffusion Lens
- End Cap: Die Cast Aluminum
- Fixture Housing: Extruded Aluminum, powder coated
- Sheet Metal: Galvanized 18 gauge remote driver box
- Mounting: TGrid Sheet Metal Clip or Drywall Anchors w/ Sheet Metal Attachment Plate
- Joiner: Volumetric Injection Molded Diffuse Material

Optical

- Symmetric Lambertian Distribution
- Extruded Volumetric Diffusion
- Minimum 80 or 90 CRI
- 3000K, 3500K, 4000K
- ≤ 3 SDCM

Mounting:



Electrical

- Remote high efficiency driver w/ universal 120-277 input
- 0-10V dimming (1%) standard
- Class 2
- Optional Integral battery pack
- L90: 90,000 Hours
- L70: 185,000 Hours
- Various Control and Driver Options
- *Contact factory

Mechanical Joining



Bluetooth Technology



With our BubblyNet OEM partnership, realize the power of bluetooth lighting control! Offering wall controllers, integrated fixture sensors, tunable white/ rgbw control. Contact Factory for More Information



PoE Technology



Our Partnerships with Igor and NuLEDs offer PoE Integration using low voltage cat 5, cat 6 cabling. Contact Factory For more Information.