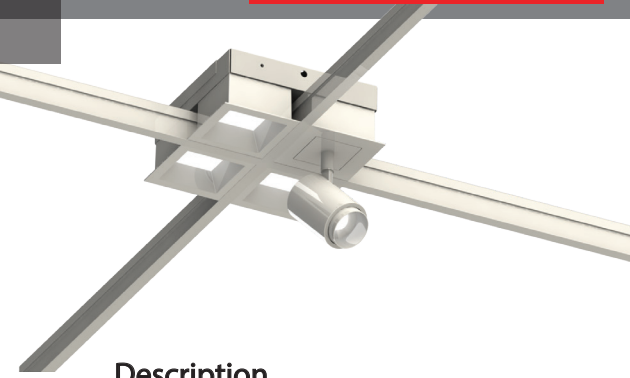


Spotlight Ordering Guide

Beam Adjustable Ordering Code

PRODUCT ID		CCT		LUMENS		FINISH		DIMMING	
Spotlight - Field Adj	SP01	27K9	2700K - 90CRI	1200	lumens (BA)	W	White	STD	No Dim
		30K9	3000K - 90CRI			BLK	Black		
		35K9	3500K - 90CRI			SLV	Silver		
		40K9	4000K - 90CRI						



Description

The QUAD Tbar Spotlight offers a unique solution to grid mounted accent lighting. Easily mount the fixture with or without other downlight quadrants at the intersection of any TBar grid system. There are multiple configurations available, with the ability to have 4 spotlights in 1 fixture.

We have Two OEM partners for our spotlight solution. The first, by LPA, offers a field adjustable beam angle, 14-50°, with high CRI. Available in 2700K-4000K. Obtain the perfect aim illumination angle for any solution with full horizontal rotation and up to 90° verticle adjustability.

Our Second, by Bruck Lighting, Offers various static beam angles, with different lumen outputs. The GX series offers variable accent light solutions while achieving an architecturally clean look in the QUAD Tbar Housing.

No more track needed - just drop the fixture on the TBar.

GX Series Ordering Code

PRODUCT ID		CCT		LUMENS		FINISH		BEAM ANGLE		DIMMING	
Spotlight - GX	SP02	27K9	2700K - 90CRI	900	lumens (GX10)	W	White	20	20 Degrees	STD	No Dim
		30K9	3000K - 90CRI	1150	lumens (GX15)	BLK	Black	38	38 Degrees		
		35K9	3500K - 90CRI	1800	lumens (GX25)	SLV	Silver	60	60 Degrees		
		40K9	4000K - 90CRI								

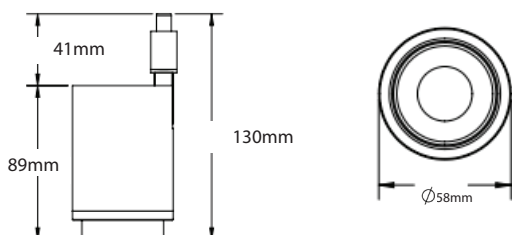
Include the Quantity and Product ID on Purchase Order Beneath
QUAD Product Ordered
** See Example Product Codes

For More Information or Further Ordering Questions,
Please Consult Factory

Beam Adjustable (BA) General / Dimensions:

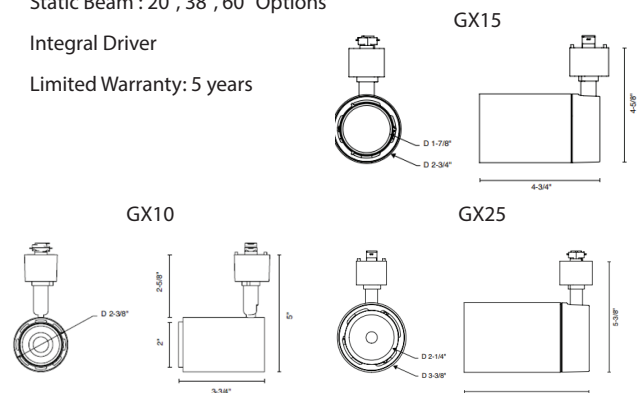
- Light Output: Up to 1200lm
- Material: Die Cast aluminum Casing, Powder Coat Finish
- Aiming: 350° Horizontal Coverage and 90° Vertical Rotation
- Field Adjustable Beam: 14-50°
- Integral Driver
- Limited Warranty: 5 years
- LED Type: CREE CMA 1200 lm Chip

Dimensions:



GX Series General / Dimensions:

- Light Output: 900lm, 1150lm, 1800lm Options
- Material: Die Cast aluminum Casing, Powder Coat Finish
- Aiming: 350° Horizontal Coverage and 90° Vertical Rotation
- Static Beam : 20°, 38°, 60° Options
- Integral Driver
- Limited Warranty: 5 years

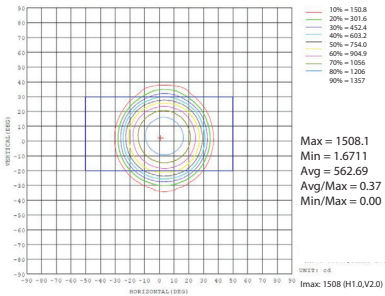


Spotlight Ordering Guide

Beam Adjustable (BA) Photometric and Performance Data

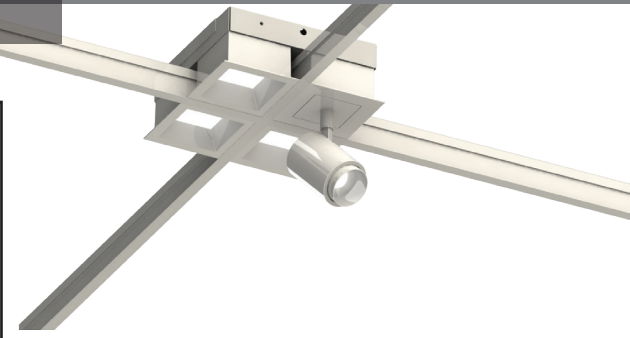
Input Voltage: 220
 Wattage: 15W
 Efficiency: 64.14 lm/W
 Current: 710mA

Polar Candela Distribution

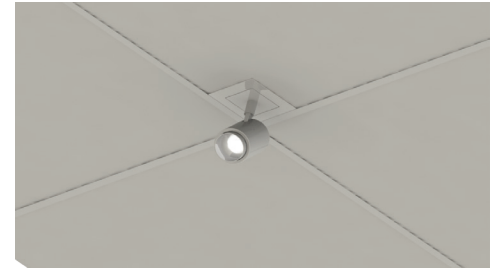


Illuminance Cone Distribution

Height	Eavg,Emax	Angle: 51.19deg	Diameter
Flux out: 732.1 lm			
1 m	979.6,15051x		95.80 cm
2 m	244.9,376.31x		191.60 cm
3 m	108.8,167.21x		287.40 cm
4 m	61.22,94.061x		383.20 cm
5 m	39.18,60.201x		479.00 cm
6 m	27.21,41.811x		574.80 cm
7 m	19.99,30.721x		670.60 cm
8 m	15.31,23.521x		766.40 cm
9 m	12.09,18.581x		862.20 cm
10 m	9.796,15.051x		958.00 cm



Example Product Codes:



Page 1 QUAD Fixutre Product Code:

QUADT1-FSQ-ASL-BX-CX-DX-500-B2-35K8-UNV-DM-W

Page 7 Spotlight Product Code:

(qty:1) SP01-40K90-1500-W-ND

GX Series Photometric and Performance Data

GX10



Input Voltage: 120 AC
 Wattage: 10W
 Efficiency: 83 lm/W

GX15



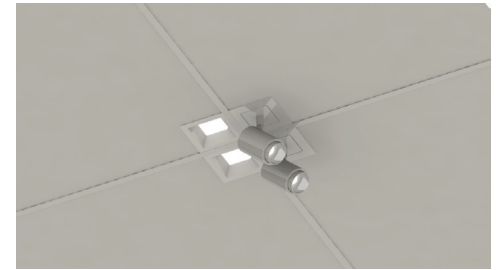
Input Voltage: 120 AC
 Wattage: 15W
 Efficiency: 76 lm/W

GX25



Input Voltage: 120 AC
 Wattage: 22W
 Efficiency: 81 lm/W

See IES Files on www.aronlighting.com for Photometric Data on the GX10, 15, and 25



Page 1 QUAD Fixutre Product Code:

QUADT1-FSQ-AR-BR-CSL-DSL-500-B2-35K8-UNV-DM-W

Page 7 Spotlight Product Code:

(qty:2) SP01-35K9-1500-W-ND